

# STEALTH CAM



## Model MC2-BRT

**For Customer Service or Warranty  
Information Call Toll Free**

**1-877-269-8490**

Stealth Cam, LLC  
805 W.N. Carrier Parkway #260  
Grand Prairie, TX 75050

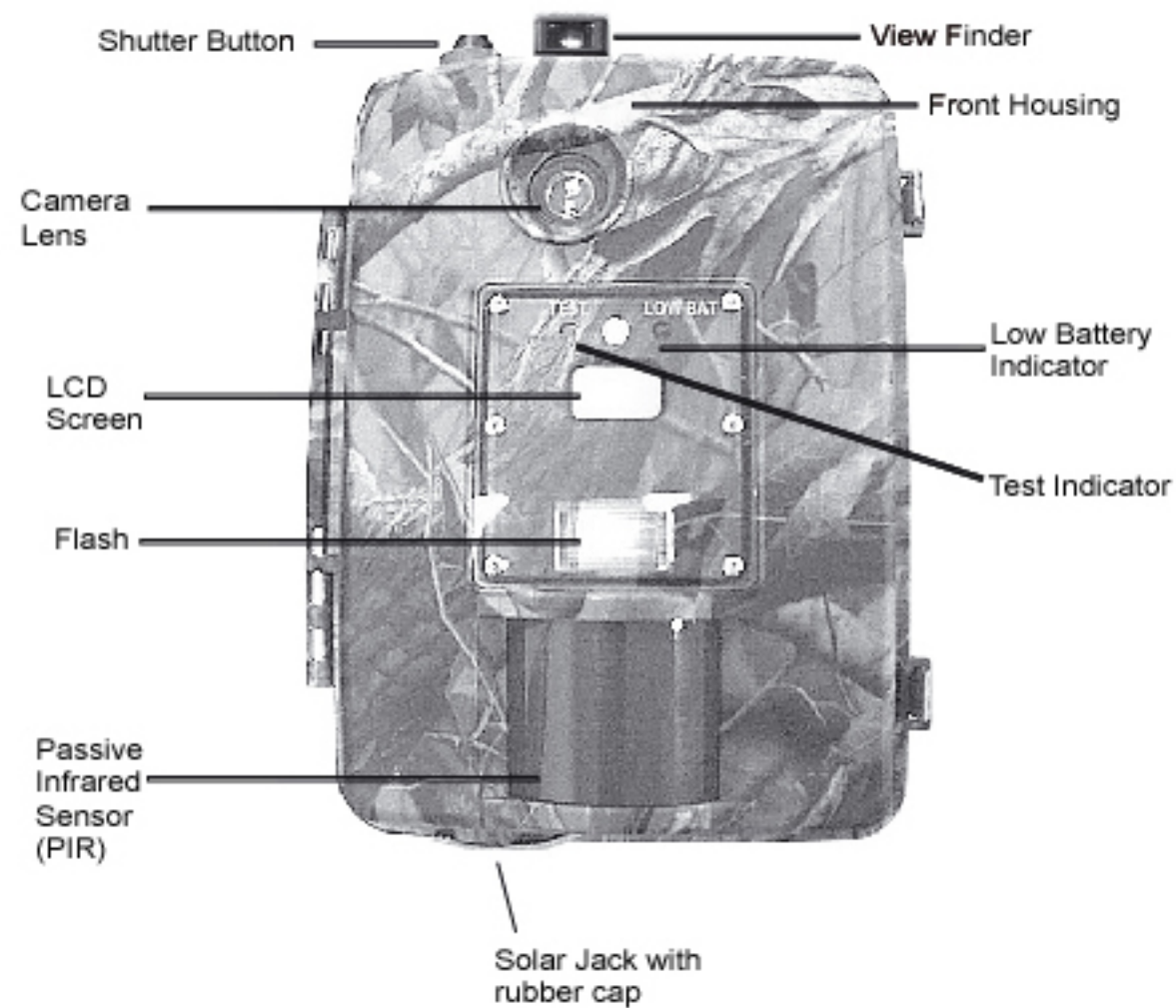
### **Stealth Cam Limited Warranty**

Your Stealth Cam is covered by a One Year Limited Warranty on parts & labor from date of purchase. The warranty covers defects in workmanship & materials. The warranty does not apply to units, which have been damaged or abused intentionally or unintentionally. Tampering with or altering the unit will void warranty. Any unauthorized service will void warranty. Original sales receipt must be produced for any warranty service. For warranty service please call 1-877-269-8490.

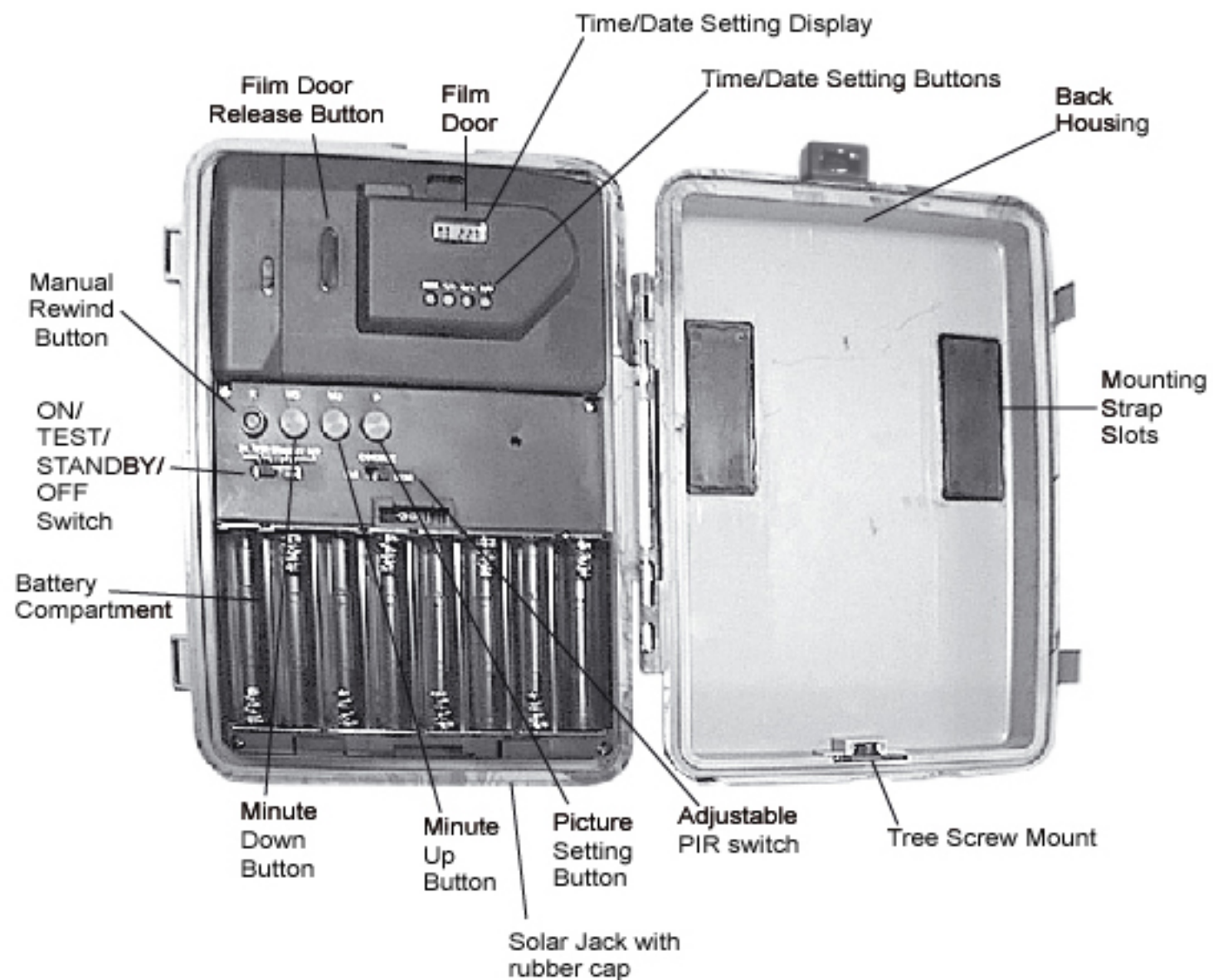
### Unit Specifications

|                             |                                                                                                                                   |
|-----------------------------|-----------------------------------------------------------------------------------------------------------------------------------|
| Operating Temperature       | 14 °F to 122°F                                                                                                                    |
| Effective Distance          | Without Flash<br>15ft/30ft(selectable)<br>With flash<br>13 ft. ( ISO 200 )<br>18 ft. ( ISO 400 )<br>26 ft. ( ISO 800 )            |
| Coverage Angle              | Approx. 30 degrees ( Vertical )<br>Approx. 50 degrees ( Horizontal )                                                              |
| Focus                       | Fixed ( 30mm )                                                                                                                    |
| Exposure                    | Fixed ( F4.5 )                                                                                                                    |
| Shutter Speed               | Approx. 1/100 seconds without flash<br>Approx. 1/60 seconds with flash                                                            |
| Flash                       | Auto below 12EV                                                                                                                   |
| Flash Charging Time         | 3 to 10 seconds                                                                                                                   |
| Guide Number ( at ISO 200 ) | 18                                                                                                                                |
| Power Option                | 1. 8 "AA" cell alkaline batteries<br>2. 8 "AA" rechargeable batteries<br>applicable to solar panel<br>#685-SP150-12V (12V,750mAH) |
| Battery Life                | 21 days ( Standby )                                                                                                               |
| Film                        | 35mm ISO 200 Film ( Recommended )                                                                                                 |
| Time / Date Display Battery | CR2025 ( Lithium battery life<br>Approx 1 year )                                                                                  |

**Figure 1 - Stealth Cam (front housing)**



**Figure 2 - Stealth Cam - (open view)**





## Step 1 - Getting your Stealth Cam Ready

**Note:** To prepare your Stealth Cam for use, the front housing must be opened

**Loading Batteries:** Open Front Housing & remove battery cover door. Install 8 "AA" cell batteries according to correct polarity indicated in the battery compartment.

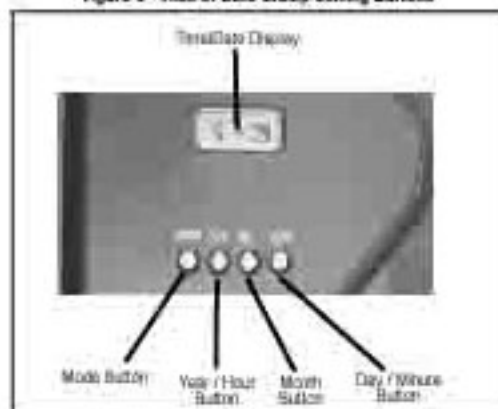
Replace the battery cover door.

Optional power jack :for use only with Stealth Camera accessory solar panel / rechargeable battery pack.

To perform the following steps move the camera switch to the "Test" position.

**Setting the Time / Date Stamp: (Figure 3):** Your Stealth Cam will stamp your choice of the date or time on your pictures. Press the mode button to select either time or date which will be displayed on the camera film door

Figure 3 - Time or Date Stamp Setting Buttons



To set the date: (Year/Month/Day)

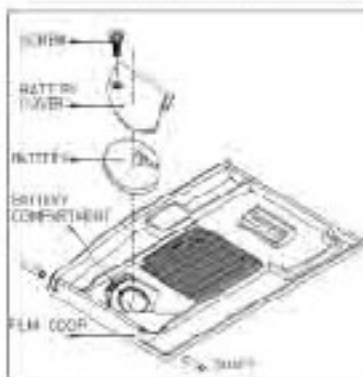
- Press the (Y/H) button to set the year
- Press the (M/-) button to set the month
- Press the (D/M) button to set the day

To set the time: (Stealth Cam uses 24hr Military Time)

- Press the (Y/H) button to set the hour
- Press the (D/M) button to set the minute

Changing the Time/Date Battery (Camera comes with battery preinstalled)

- Open the camera film door.
- Using a small Phillips screwdriver, remove the battery cover screw.
- Remove cover & replace battery (Lithium CR2025)
- Reattach battery cover.



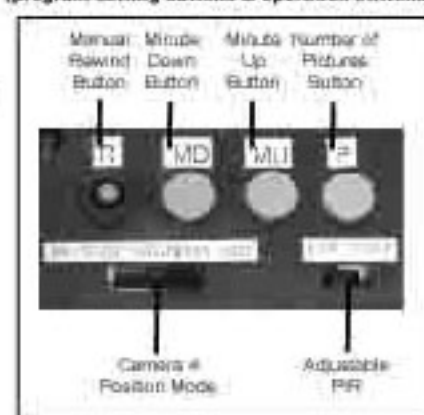
**Setting the Time-out Function: (Figure 4):** Stealth Cam has the ability to be programmed to activate with between 1 and 60 minutes between motion detection. The default setting is one minute, which is displayed on the LCD display on the front housing.

- Press the (MU)-Minute Up button to increase the time out setting by 1 minute.
- Press the (MD)-Minute Down button to decrease the time out setting by 1 minute.
- Note: Turning the camera "OFF" will reset the time out setting back to 1 minute.

**Setting the Continuous Capture: (Figure 4):** Stealth Cam can be programmed to take between 1 and 9 pictures each time motion is detected. The default setting is 1, which is displayed on the LCD screen on the front housing.

- Press the (P) button to increase the number of pictures by 1. If the button is pressed when 9 is displayed the sequence will begin again at 1.
- Note: Turning the camera "OFF" will reset the Continuous Capture setting back to 1 picture.

Figure 4 - Stealth Cam (program setting buttons & operation switches)

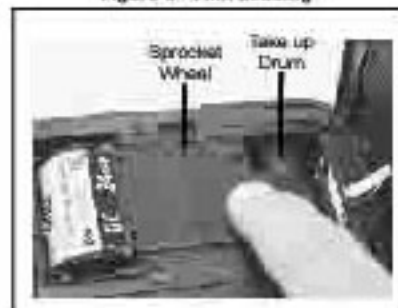


**Loading Film into Camera: (Figure 5):**

Note: When there is no film in the camera the film counter on the LCD on the front housing display will show "E" (empty). ISO 200 film is recommended.

- Open camera film door.
- Insert film roll into film chamber
- Pull the film leader across to the film take up drum ensuring the film perforations are engaged by the sprocket wheel.
- Close the film door firmly. The film automatically advances to the first frame. The LCD display on the front housing will show "0".

Figure 5 - Film Loading



## Step 2 : Mounting The Stealth Cam

Your camera came provided with two easy to use mounting options.

### Mounting with the Tree Screw (Figure 5.1)

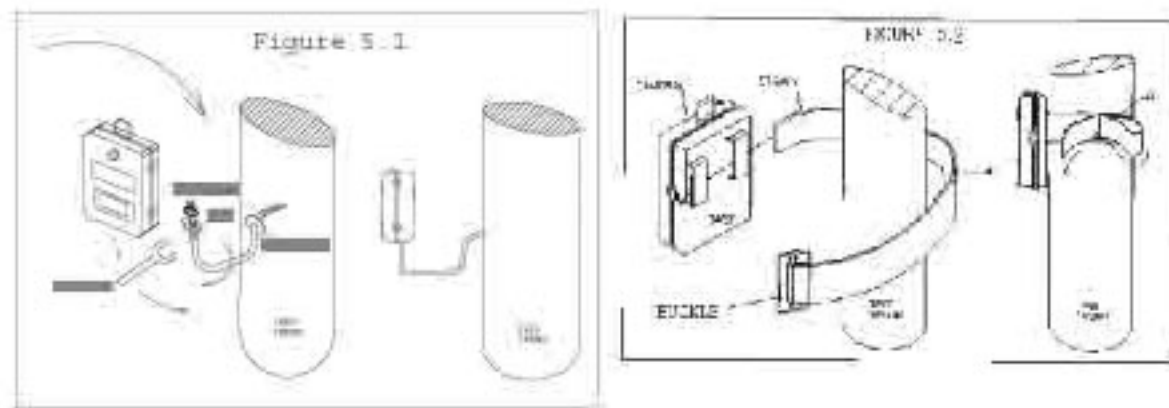
- Hand twist the screw into a tree or post at the desired position.
- Thread the washer 2 (bigger one) on to the mounting screw.
- Attach camera to tree screw by turning the camera onto the mounting screw to the desired position.
- Tighten stabilizing nut with the spanner.

### Mounting with the Strap (Figure 5.2 )

- Insert the strap through the strap slots on the rear housing
- Wrap strap around desired object. Secure strap & tighten the buckle in order to secure the camera.

### Mounting Suggestions

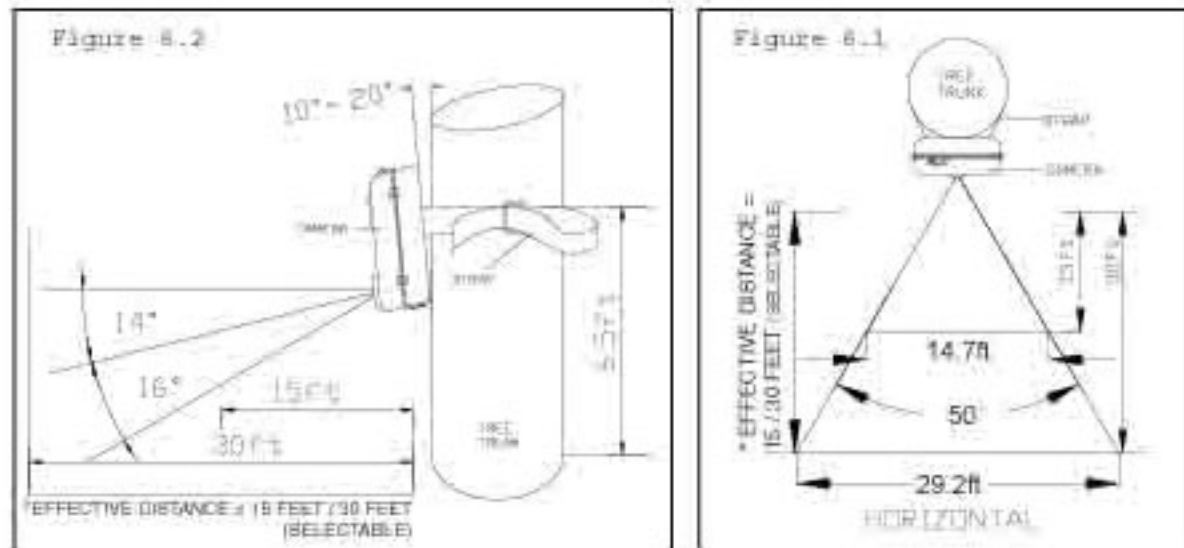
- Camera should be mounted between 4 - 5 ft from the ground.
- Avoid mounting camera facing east or west. The rising & setting of the sun could cause a false trigger of the camera.



## Step 3: Testing the cameras coverage area.

One of Stealth Cam's many features is an adjustable PIR sensor and the ability to test the coverage area.

- The (PIR) sensor can be set for long range (30ft) or short range (15ft). This allows the user to select the range at which the Stealth Cam will activate. For short range (15ft) it is best for taking slow-moving animal action such as feeding.
- Move the camera switch in the "TEST" position.
- Walk around in front of the camera to see if you have mounted your camera in the proper spot. A green indicator light will blink on the front housing when you have intruded the coverage area.
- Adjust the camera position as needed & repeat the testing until the desired coverage area is achieved.
- If the camera is left switched in the "TEST" position longer than 8 minutes the camera will power down to conserve battery power.
- Note: The coverage area and effective distance will vary with the height and orientation of the camera.



#### Step 4: Using the camera

By now you should have completed Steps 1 through 3. Now it's time to put your Stealth Cam to work.

##### Normal Operation

- Move the switch to the "ON" position
- Close the front housing
- The camera will start operation in about 5 minutes. This should give you ample time to get out of the coverage area.
- When motion is detected the camera will take 1-9 pictures based on your program setting. The camera will then rest between 1-60 minutes also based on your setting.
- The flash will only activate in low light conditions.
- The film will automatically advance to the next frame.
- At the end of the roll, the film will automatically rewind the film.

##### Manual Operation (Hand held camera for snap shots)

- Move the switch to the "TEST" position
- Close the front housing
- Using the view finder to line up your subject.
- Press the shutter button when you are ready to shoot the picture.
- The flash will only activate in low light conditions.
- The film will automatically advance to the next frame.

##### Counter Mode

- The camera is equipped with an automatic trail counter mode that activates after the film roll has been completely used & rewound.
- The LCD display on the front housing will continue to count trail activity based on your program.
- The unit will count to 99 after which the unit will sleep.

##### Manual Rewind

- If desired the film may be removed from the camera before the entire roll has been exposed.
- Switch the camera to the "TEST" position
- Press the manual rewind button
- Remove film when rewinding is completed.

##### Low Battery Indicator

- When the "AA" cell batteries begin to run low the red low battery indicator on the front cover begins to blink.
- If the film has not already rewound automatically; do so by using the manual rewind function.
- The batteries may also be changed in the "OFF" position but this will reset the program & may cause unnecessary advancement of the film.

**To preserve program setting, switch the camera to Standby mode and install the new batteries immediately (within 30 seconds) after removing old batteries.**

##### Precautions

- The camera is designed to be weather resistant. Never attempt to immerse the unit into water or any other liquid. This will damage the unit.
- Do not drop camera.
- Do not mix new & old batteries
- Do not touch camera lens or PIR lens. Keep both areas free of dirt & fingerprints.
- Use a soft cloth or lens tissue to clean lens
- Do not attempt to open the camera for unauthorized service. This may cause serious damage to the unit and will render the warranty invalid.
- To prevent overcharging by Solar Panel, turn the switch to "off" position.
- Before using Solar Panel for charging, double check to replace the alkaline batteries by rechargeable ones.

NOTE: Remove batteries when camera is not in use for long periods of time.

## Unit Specifications

|                             |                                                                                                                                   |
|-----------------------------|-----------------------------------------------------------------------------------------------------------------------------------|
| Operating Temperature       | 14 °F to 122°F                                                                                                                    |
| Effective Distance          | Without Flash<br>15ft/30ft(selectable)<br>With flash<br>13 ft. ( ISO 200 )<br>18 ft. ( ISO 400 )<br>26 ft. ( ISO 800 )            |
| Coverage Angle              | Approx. 30 degrees ( Vertical )<br>Approx. 50 degrees ( Horizontal )                                                              |
| Focus                       | Fixed ( 30mm )                                                                                                                    |
| Exposure                    | Fixed ( F4.5 )                                                                                                                    |
| Shutter Speed               | Approx. 1/100 seconds without flash<br>Approx. 1/60 seconds with flash                                                            |
| Flash                       | Auto below 12EV                                                                                                                   |
| Flash Charging Time         | 3 to 10 seconds                                                                                                                   |
| Guide Number ( at ISO 200 ) | 18                                                                                                                                |
| Power Option                | 1. 8 "AA" cell alkaline batteries<br>2. 8 "AA" rechargeable batteries<br>applicable to solar panel<br>#685-SP150-12V (12V,750mAH) |
| Battery Life                | 21 days ( Standby )                                                                                                               |
| Film                        | 35mm ISO 200 Film ( Recommended )                                                                                                 |
| Time / Date Display Battery | CR2025 ( Lithium battery life<br>Approx 1 year )                                                                                  |